

FOOD SCIENTISTS AND TECHNOLOGISTS

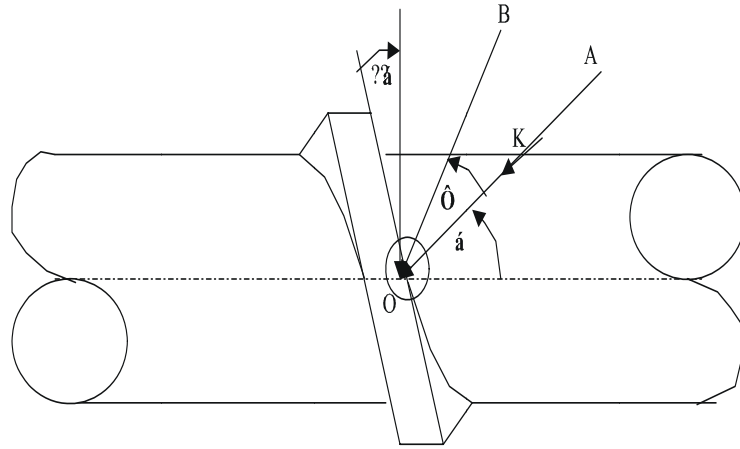


Figure 1: Forces acting on screw thread

1.0 INTRODUCTION

1.1 Drawing Instruments

A good and accurate drawing can only be made through constant practice with the aid of drawing instruments and materials listed below:-

- ❖ Drawing board
- ❖ Tee square
- ❖ Drawing pencils
- ❖ Set of drawing instruments
- ❖ Set squares 60° - 30° and 45°
- ❖ Drawing paper clips or tape
- ❖ Protractor
- ❖ Scale rule
- ❖ French curves
- ❖ Drawing paper
- ❖ Eraser
- ❖ Compasses and Divider