

QUESTION

Sketch the following views of the given objects:

- a. Elevation in direction of arrow T.
- b. End view in direction of arrow S.
- c. Plan view projected from view (a).

(Use first and third angle projection for objects, shown on Fig. 1-5)

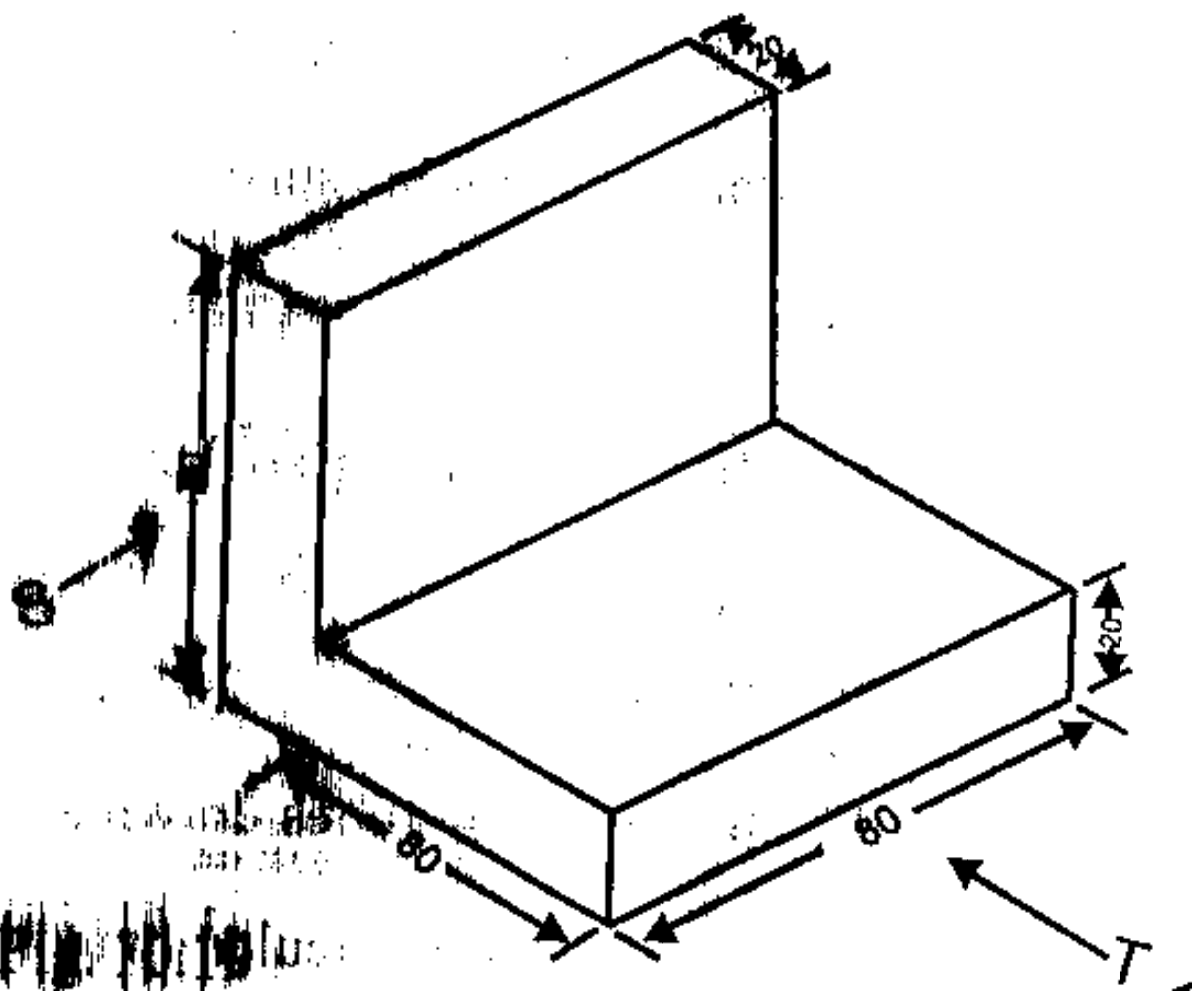


Fig. 1-5