

AGE 224

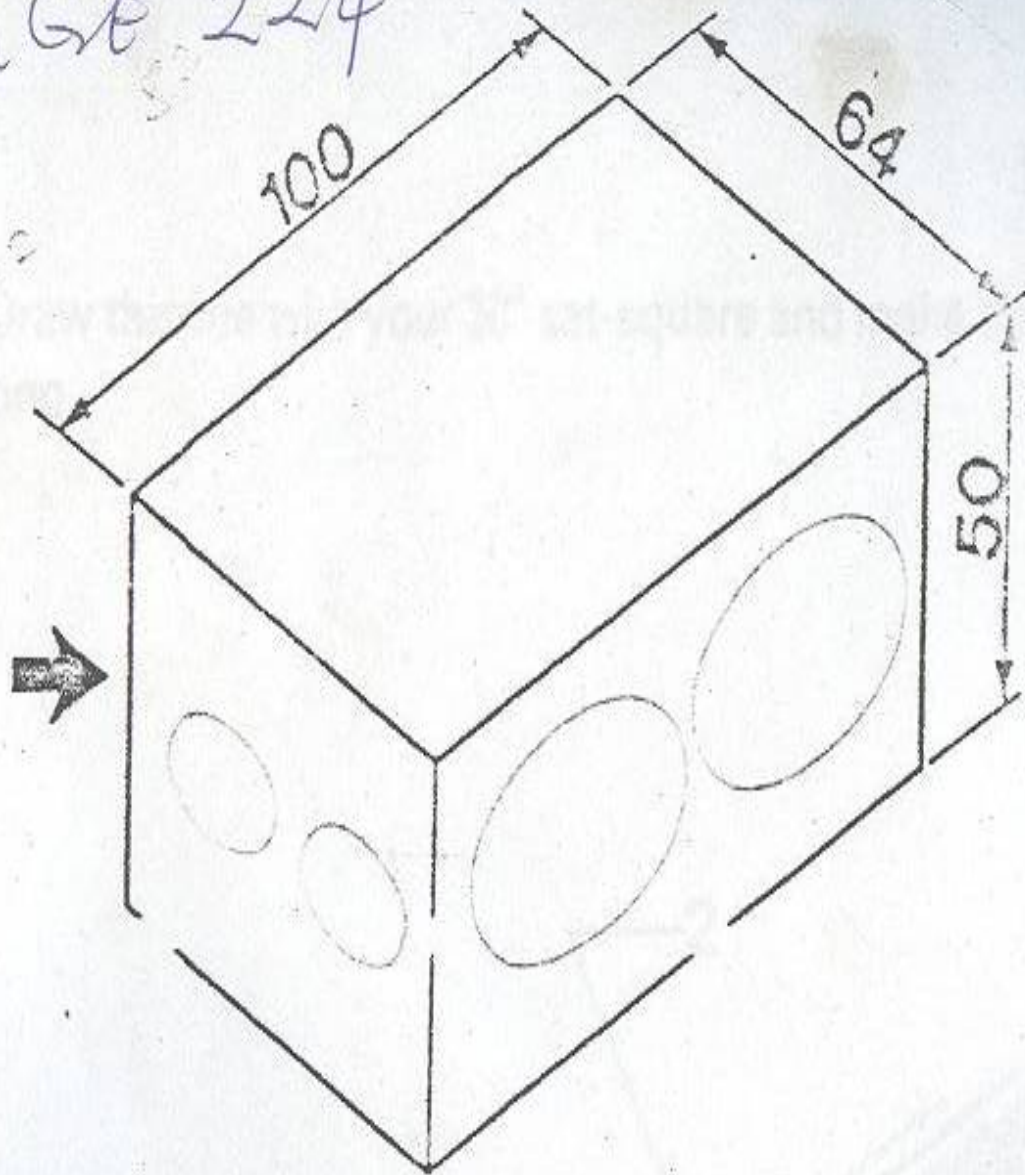


Fig 2.3 This is the isometric box on which all drawings' isometric are based.